



Self-Priming Utility Pumps

Model 2851-96

- **Aluminum Construction**
- **Handles Liquids with Specific Gravity up to 1.6**
- **1" NPT Suction and Discharge Ports**
- **1/3 HP ODP Motor with 8 ft. 115 VAC Power Cord**
- **Includes (2) Garden Hose Adapters**
- **Self-cleaning Impeller**
- **Max Suction Lift is 15 ft. Without Foot Valve**
- **Max Working Pressure is 75 PSI**
- **Max Temperature is 180° F**
- **Viton Mechanical Seal and O-Ring**

AMT Model 2851-96 is designed for liquid transfer and general dewatering such as emergency water supply, storm drains, pool/spa tub drainage and select chemical transfer up to 1.6 specific gravity that are compatible with all pump components. Portable, lightweight unit with handle and base.

Model 5670-96

- **Aluminum Construction**
- **Plastic Impeller Handles 1/4" Solids**
- **3/4" NPT Suction and Discharge Ports**
- **1/2 HP 7500 RPM ODP Motor with Replaceable Brushes and 8 ft. 115 VAC Power Cord**
- **Includes (2) Garden Hose Adapters and Suction Strainer**
- **Buna N Gaskets**
- **Max Suction Lift is 15 Ft.**
- **Built-in Carry Handle**
- **Max Working Pressure is 75 PSI**
- **Max Temperature is 160° F**
- **Buna N Mechanical Seal**

Model 5670-96 is designed for portability and ease of operation. Ideally suited for wash down, emergency water supply, swimming pool/spa tub drainage, storm drainage and many other water transfer applications.

AMT Utility Pumps are reliable, cost effective, low maintenance and many are readily available "Off-the-shelf" for fast 24 hour shipment. For use with non-flammable liquids compatible with pump component materials.

Viton® is a registered trademark of E. I. DuPont

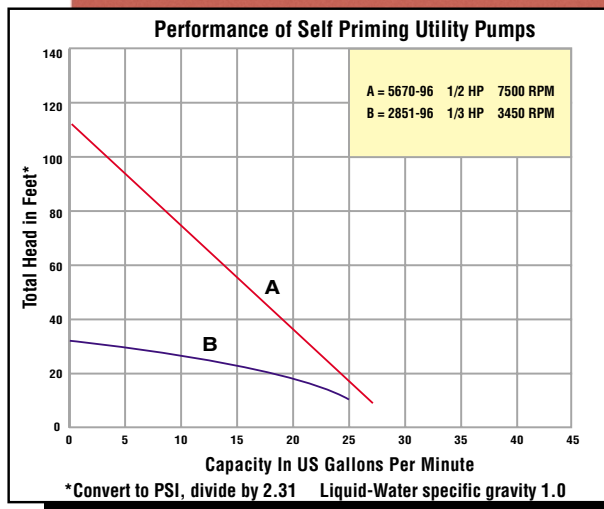
INDUSTRIAL DUTY



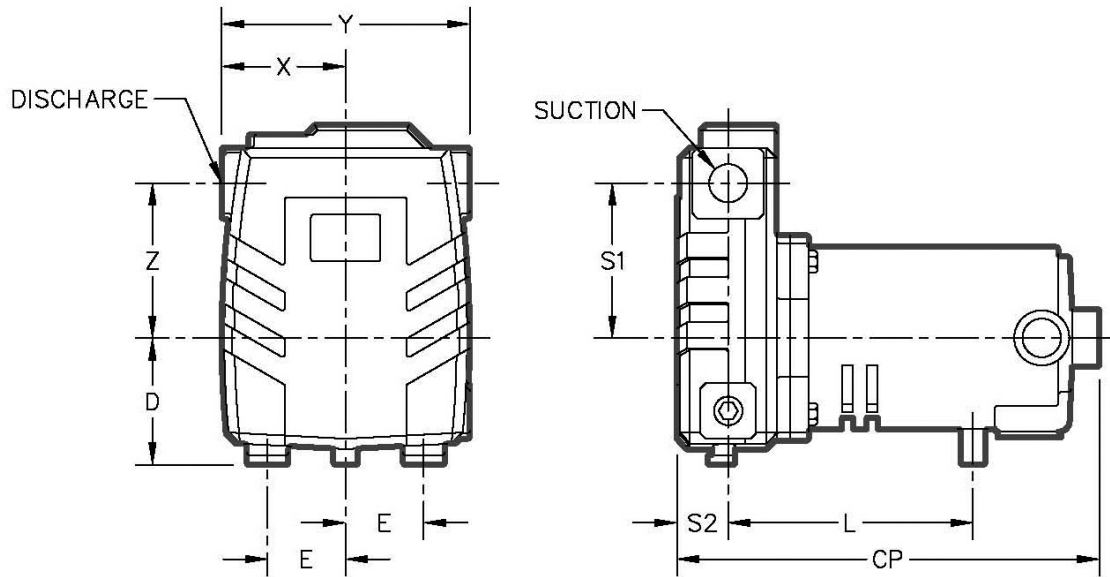
Model 2851-96



Model 5670-96



Self-Priming Utility Pumps



| Model | Curve | Suc* | Dis* | CP | D | E | L | S1 | S2 | X | Y | Z |
|---------|-------|------|------|------|-----|-----|-----|-----|-----|-----|-----|-----|
| 2851-96 | B | 1 | 1 | 17.1 | 3.5 | 2.2 | 2.2 | 2.4 | 2.8 | 3.0 | 6.0 | 3.6 |
| 5670-96 | A | 3/4 | 3/4 | 9.6 | 2.9 | 1.8 | 5.6 | 3.5 | 1.2 | 2.8 | 5.6 | 3.5 |

Standard Features 2851-96

- ▶ Aluminum Construction
- ▶ 1" NPT Suction and Discharge Ports
- ▶ 1/3 HP ODP Motor with 8 ft. 115 VAC Power Cord
- ▶ Includes Garden Hose Adapters
- ▶ Self-cleaning Impeller
- ▶ Max Suction Lift 15 ft.
- ▶ Max Working Pressure 75 PSI
- ▶ Max Temperature 180° F
- ▶ Viton® Mechanical Seal & O-Ring
- ▶ "Off-the-Shelf" Availability

Standard Features 5670-96

- ▶ Aluminum Construction with Plastic Impeller
- ▶ 3/4" NPT Suction and Discharge Ports
- ▶ 1/2 HP 7500 RPM ODP Motor with 8 ft. 115 VAC Power Cord
- ▶ Includes (2) Garden Hose Adapters and Strainer
- ▶ Buna N Gaskets and Mechanical Seals
- ▶ Max Suction Lift 15 Ft.
- ▶ Built-in Carry Handle
- ▶ Max Working Pressure 75 PSI
- ▶ Max Temperature 160° F
- ▶ "Off-the-Shelf" Availability

| Model | Description/Type of Pump | Ship Wt (Lbs.) | RPM | HP | Port Size Suc X Dis (NPT) | Basic Constr. | Seal Type & Elastomer/Faces | VAC | FL Amps | Motor Encl. |
|---------|----------------------------|----------------|------|-----|---------------------------|---------------|-----------------------------|---------|---------|-------------|
| 2851-96 | Self-Priming Utility Pumps | 42 | 3450 | 1/3 | 1" x 1" | Aluminum | Viton® Carbon Ceramic | 115/230 | 8/4 | ODP |
| 5670-96 | Self-Priming Utility Pumps | 15 | 7500 | 1/2 | 3/4" x 3/4" | Aluminum | Buna Carbon Ceramic | 115 | 8 | ODP |

Viton® is a registered trademark of E. I. DuPont



See price book page 16

The Gorman-Rupp Company reserves the right to discontinue any model or change specifications at any time without incurring any obligation.

CP47-48/0904